

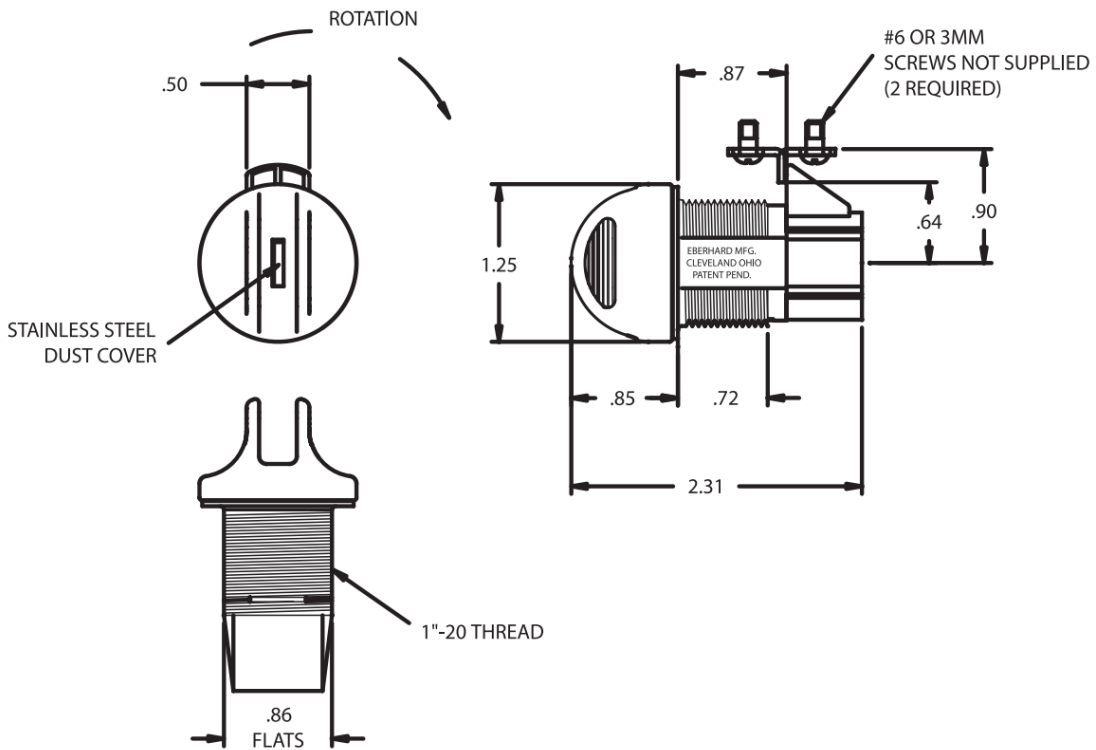
## 626 Key Lockable Quarter Turn Slam Latch

### Features

- Quarter turn slam latch that is corrosion-resistant, and ideal for small doors
- Key locking and non locking versions available
- Easily installed with plastic hex nut, supplied with gasket, nut, stainless steel lock washer, and stainless steel striker

### Material

- Plastic, matt black



Part No.	Type
626-KPK	Key Locking
626-PK	Non Locking

Dimensions in inches